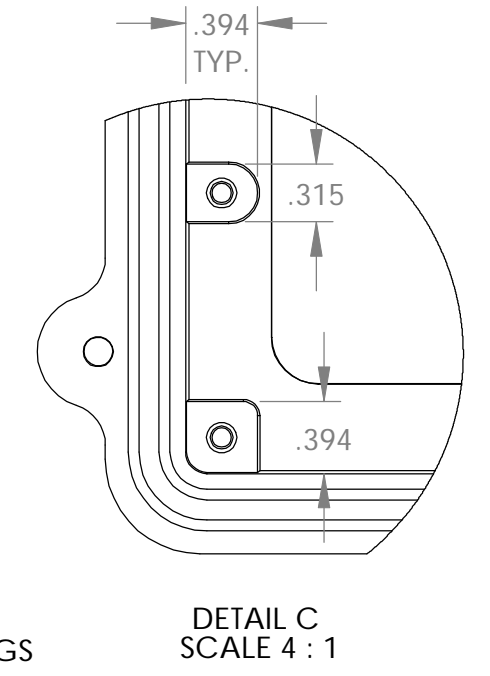
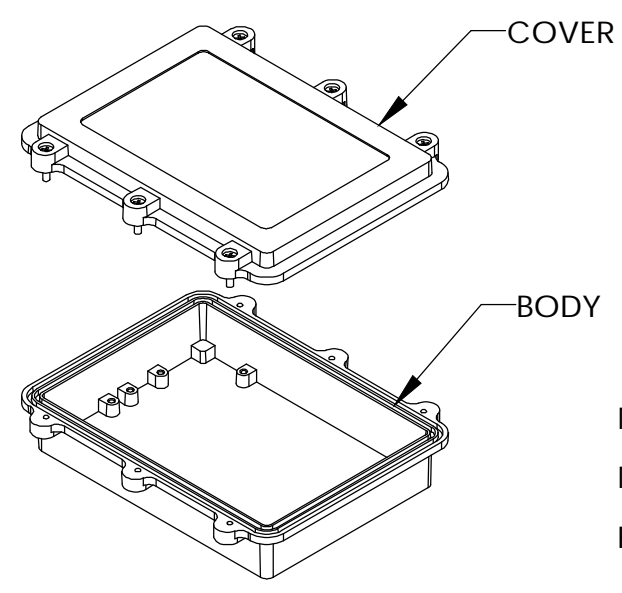
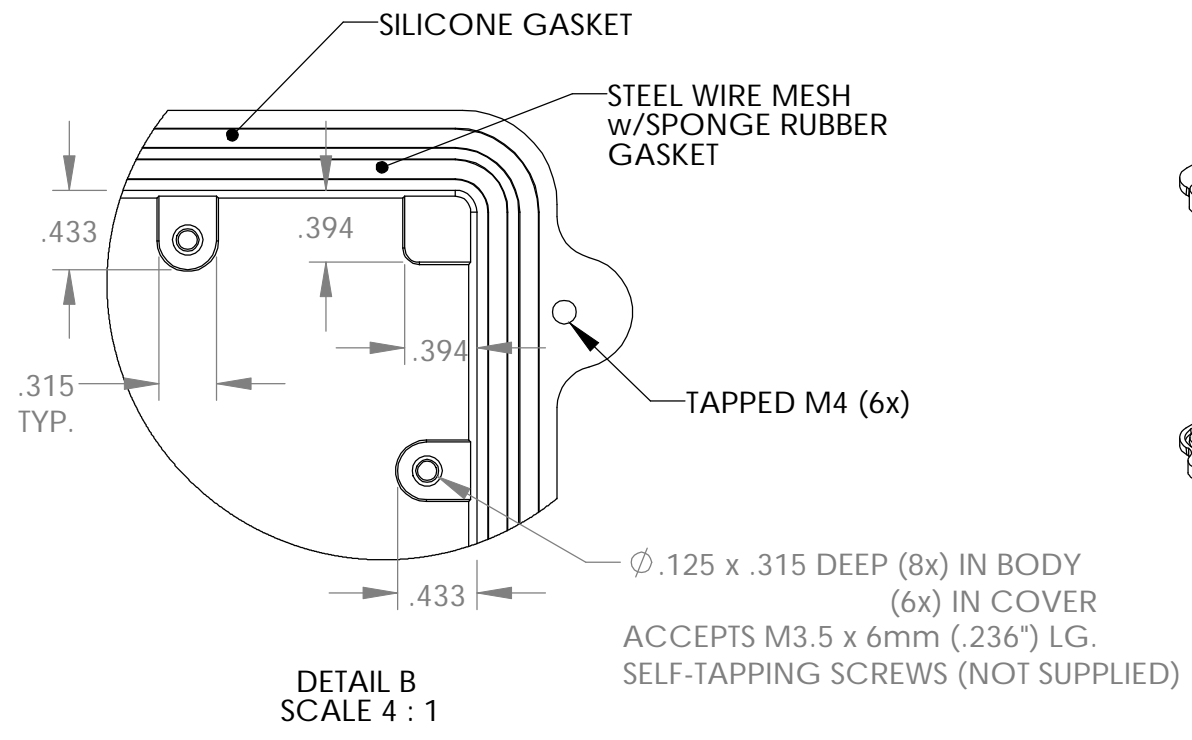
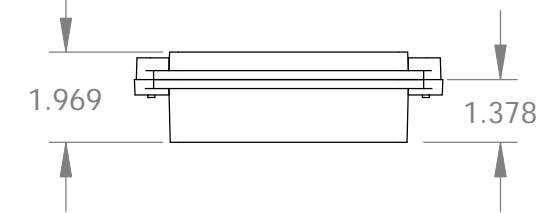
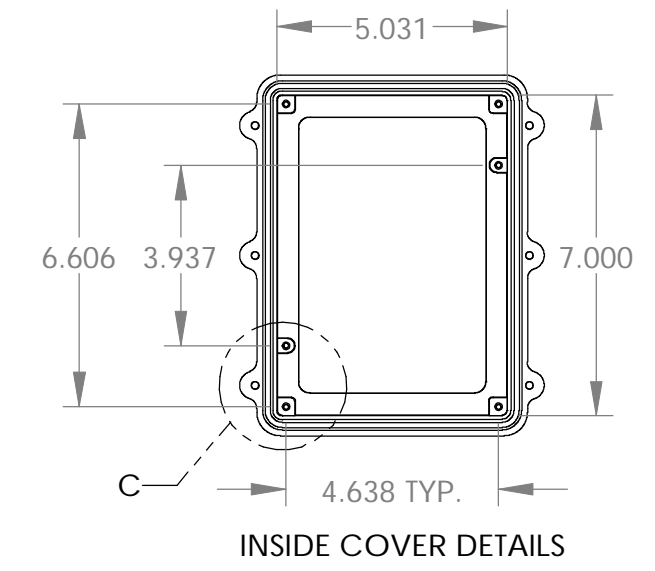
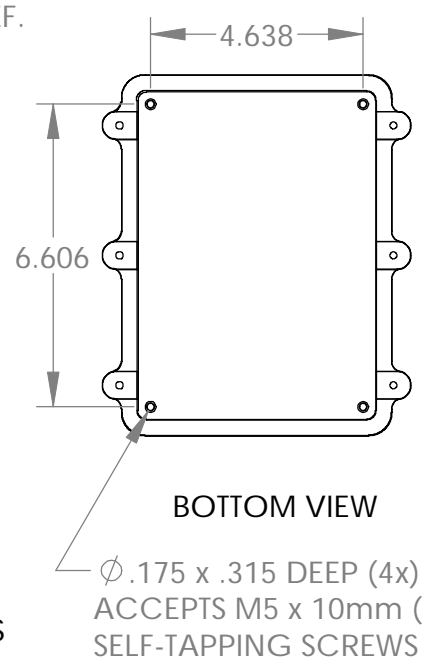
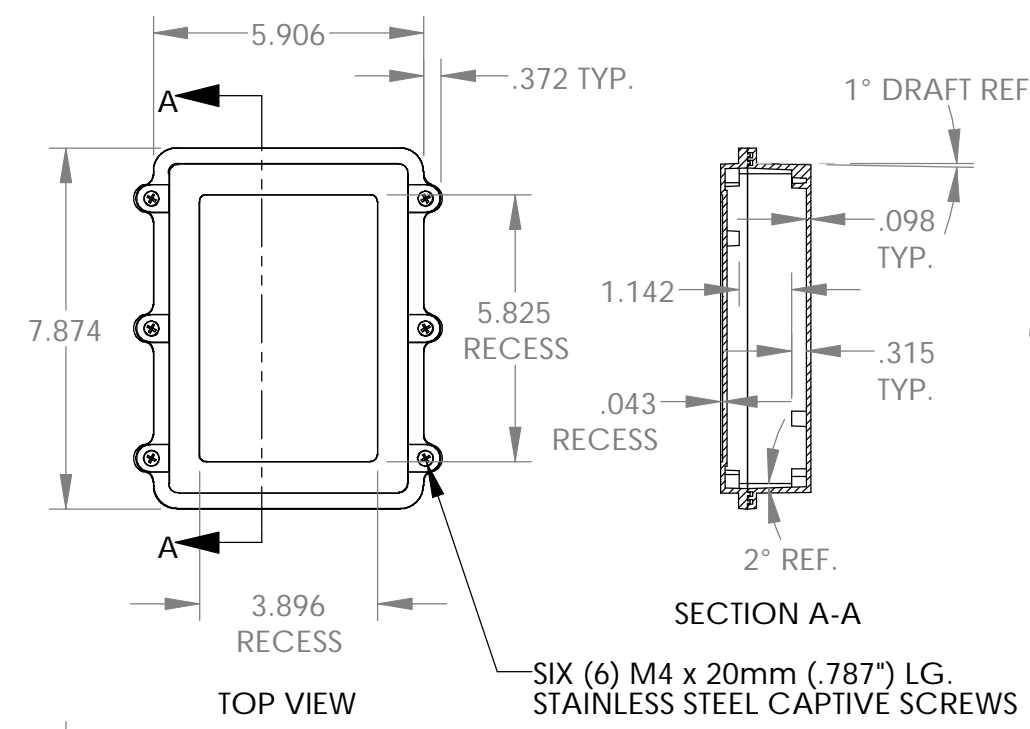
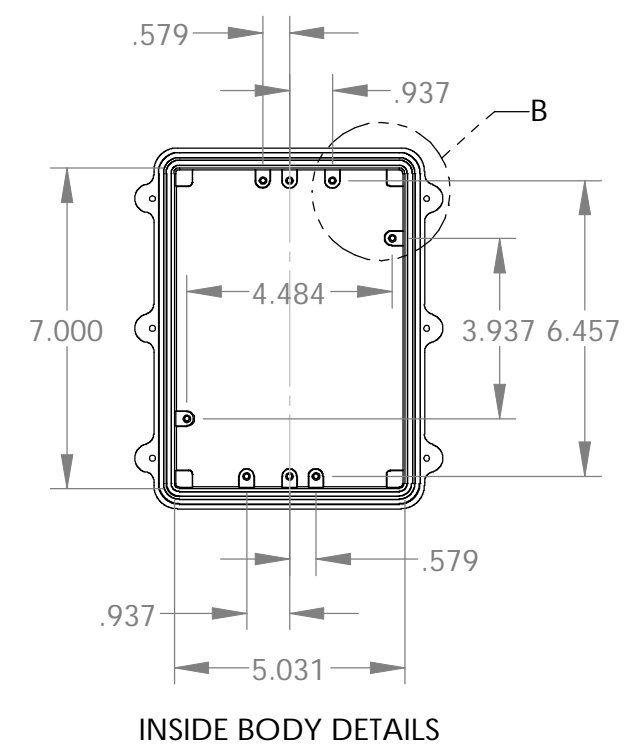


PART NAME	NEMA DIE CAST BOX WITH EMI/RFI SHIELDING	PART No.	ANS-3817 ANS-3817-B	REVISION DATE	-
-----------	--	----------	------------------------	---------------	---



MEETS NEMA 1, 2, 4, 4X, 12, 13 AND IP65 RATINGS

MATERIAL - ALUMINUM ALLOY ADC-12

FINISH - NATURAL (NO SUFFIX PART NO.)
- SMOOTH BLACK (-B SUFFIX PART NO.)

TOLERANCES: ALL HOLE DIAMETERS ±.005
ALL OTHER DIMENSIONS ±.015